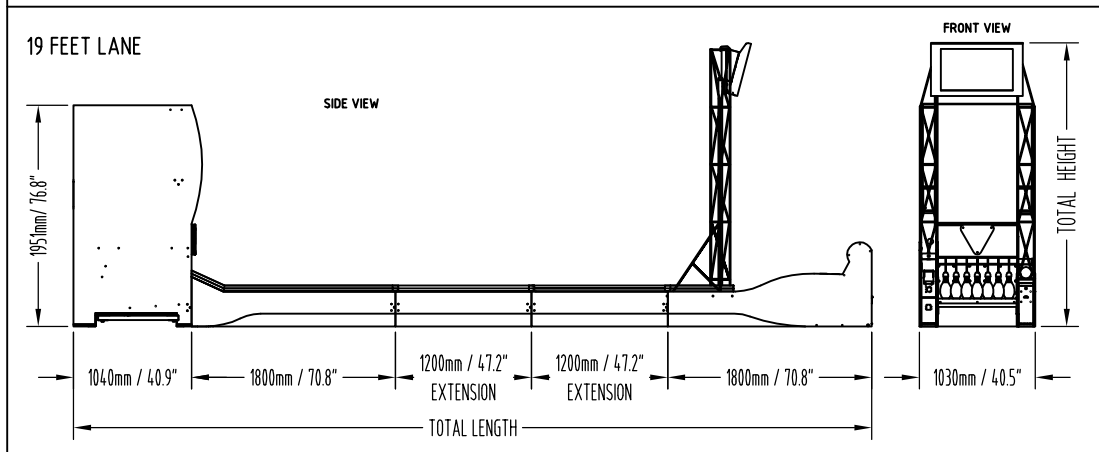
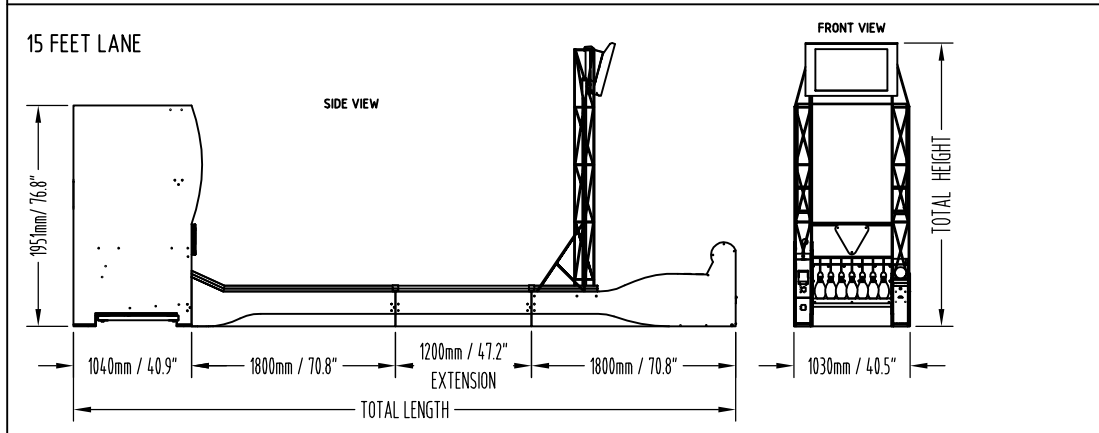
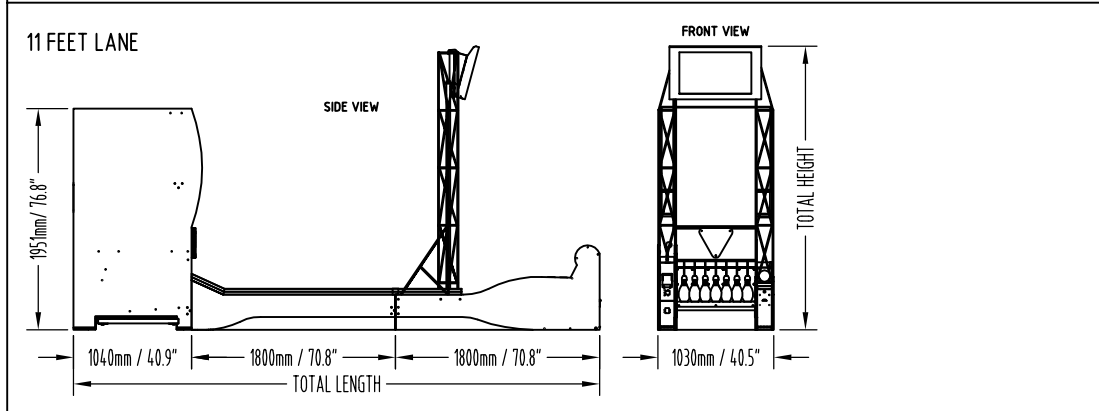
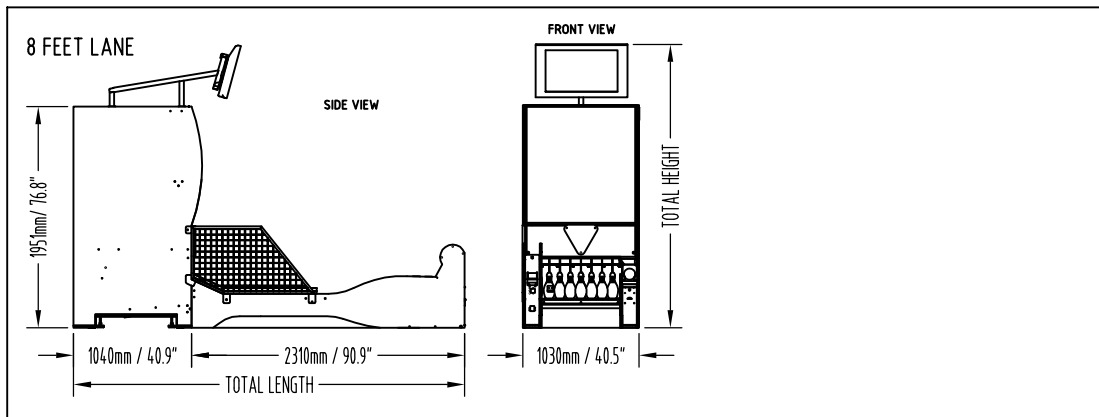


## SUPER STRIKE PRODUCT DIMENSIONS



## SUPER STRIKE PRODUCT DIMENSIONS

LANE TYPE	TOTAL LENGTH (mm / inch)	TOTAL WEIGHT (kg / lb)	TOTAL HEIGHT (mm / inch)
8 FEET LANE	3350mm / 135.8"	475Kg / 1047Lb	2499mm / 98.3"
11 FEET LANE	4640mm / 182.7"	520Kg / 1146Lb	2400mm / 94.5"
15 FEET LANE	5840mm / 230"	580Kg / 1278Lb	2400mm / 94.5"
19 FEET LANE	7040mm / 277"	640Kg / 1410Lb	2400mm / 94.5"